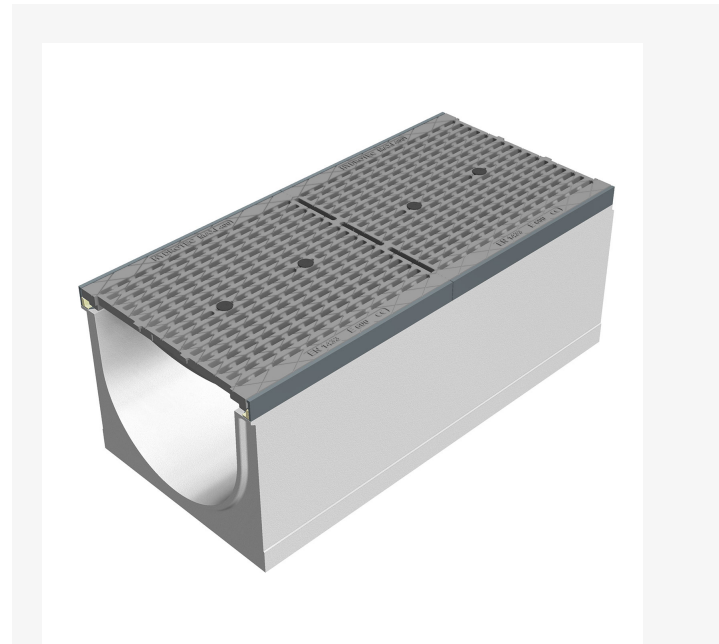


## MAXI PRO 400 F900

### PRODUCT DATA

|                     |                         |
|---------------------|-------------------------|
| Article number      | 664600502               |
| Loading class       | F 900                   |
| Nominal width       | 400 mm                  |
| Construction length | 1000 mm                 |
| Construction height | 400 mm                  |
| Type of product     | Typ M                   |
| Type of element     | Basiselement            |
| Weight              | ca. 261 kg              |
| Inlet cross-section | 1330 cm <sup>2</sup> /m |
| Pieces per pallet   | 4 Stk.                  |



### DETAILED INFORMATION

#### CHANNEL BODY

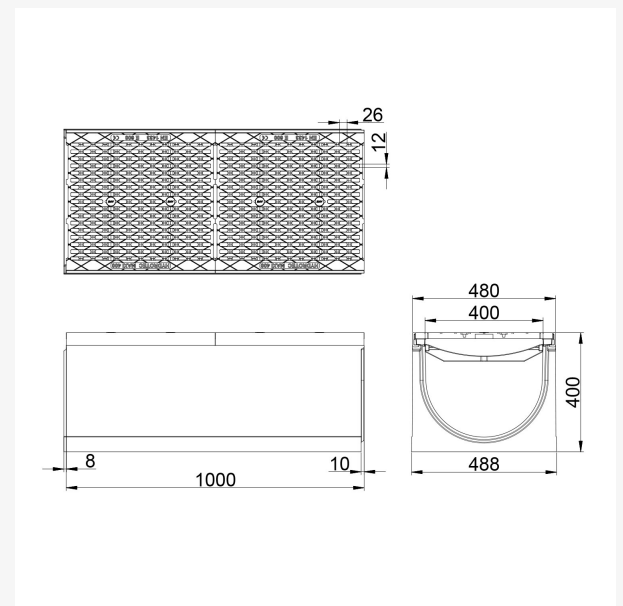
- pressure-resistant concrete C35/45
- with ductile iron edge protection
- low maintenance due to lack of cast contact
- connecting profiles for precise fit

#### GRATING

- Longitudinal slotted grating
- Longitudinal safety catch
- Made of cast iron

#### LOCKING

- Screwed locking mechanism with two rounded screw bolts per metre and screw lock for a firm hold of the grating in the lower body
- locking protection caps on the screws to protect against dirt

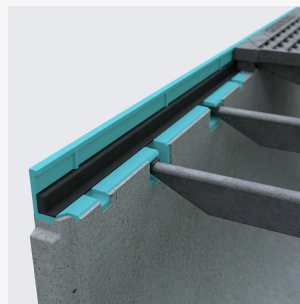


## MAXI PRO 400 F900

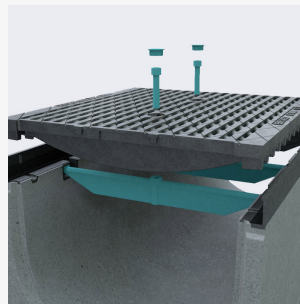
### DETAILED INFORMATION



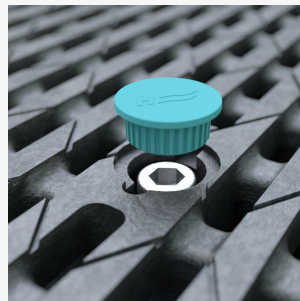
Noiseless



Edge protection



Special locking system



Protecting caps